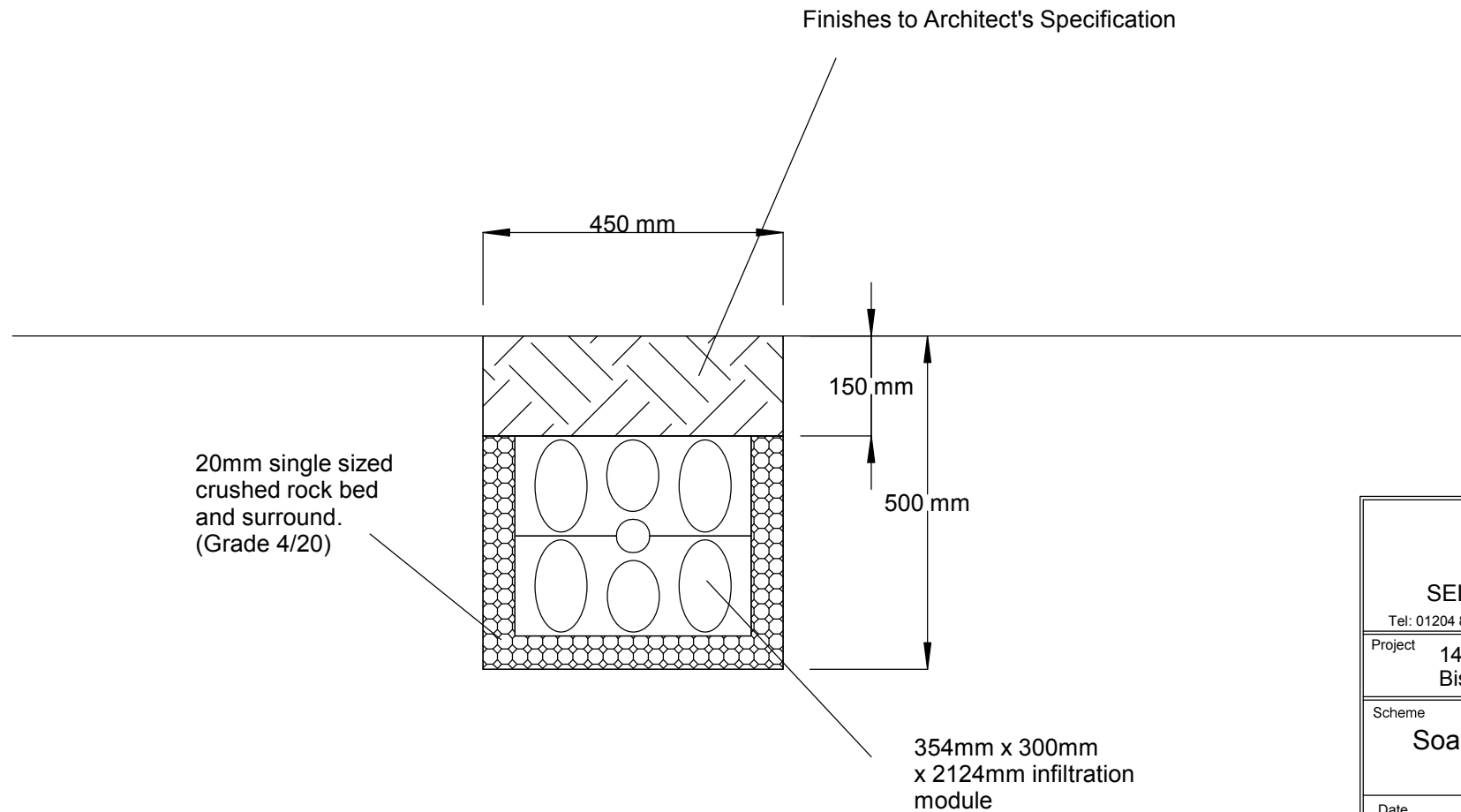


# High Performance Soakaway Conduit Typical Section



<b>SEL Environmental Ltd</b> Tel: 01204 885555 Fax: 01204 885533		
Project <b>14 Copmanthorpe Lane, Bishopthorpe</b>		
Scheme <b>Soakaway Proposals</b>		
Date <b>Aug 2011</b>	Scale <b>1 : 10</b>	
Drawn <b>A.B.S.</b>	Drawing Number  	
<table border="1"> <tr> <td>REVISION</td> </tr> </table>		REVISION
REVISION		